

# PHOTOFLOOD/MINIPINZA



code 115/100

## Specifications

### Photoflood 115 500W - 120/240V

Clamp + jointed arm mount

kg. 1,170

### Minipinza 100 250W - 120/240V

Clamp + jointed arm mount

kg. 1,140

Aluminum housing

Epoxy anti-scratch red finish: black and silver colour on request

Aluminium finish on the inside

Lampholder E 27

Protective lampholder housing in fibre glass

Black fibre glass clamp with flexible arm

Power cable 3,50 m. long, section 3x1,5 mmq CEI 20-35 Flame retardant, Fire resistant

In-line switch 8Amp 250V (16Amp 125V)

### For architectural applications

fitting long life halogen lamps type E27 250w type 64480



## Accessories

### Photoflood:

**Code 802:** 380 gr. Four leaf barndoor with gel clips.

**Code 801:** 435 gr. Four leaf barndoor/wire guard assembly with gel clips.

**Code 807:** 290 gr. Snoot  $\varnothing$  85 mm - 245mm long

**Code 806:** 240 gr. Snoot  $\varnothing$  134 mm - 132mm long

### Minipinza:

**Code 159:** 215 gr. Four leaf barndoor with gel clips.  
(It can fit the accessories line of Lilliput.)

## Photometrics

DISTANCE 3 m (500w - argaphoto PF318)	
light center value	302
beam angle= beam at 50% peak value	98°
field angle= beam at 10% peak value	137°

Fitting incandescent and fluorescent lamps with E27 base





## Specifications

**Lilliput 150** 300W/650W -120/240V  
yoke mount  
kg.0,850

**Lilliput 151** 300W/650W - 120/240V  
Clamp+ jointed arm mount  
kg.1,150

Aluminum housing  
Epoxy anti-scratch red finish: black colour on request  
Heat resistant matt black finish on the inside  
Extra-pure aluminum reflector  
Lampholder G6,35  
Fixed focus  
Power cable 3,00 m. long, section 3x1,5 mmq  
CEI 20-35 Flame retardant, Fire resistant  
In-line switch 8Amp 250V (16Amp 125V)

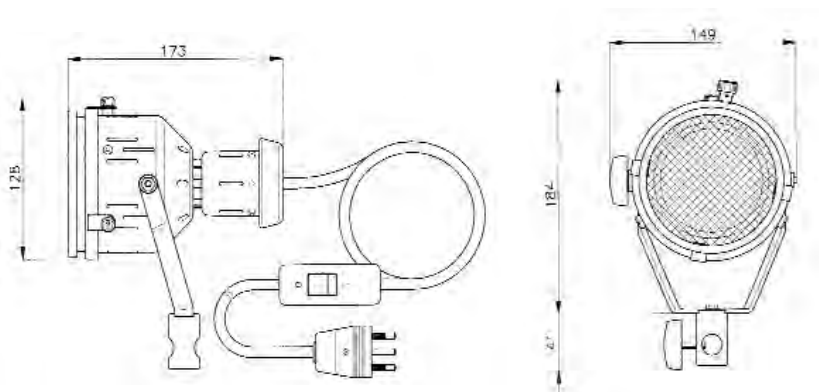
## Accessories

- Cod.153:** 115 gr.Wire guard with holder ring for barndoors and other accessories.
- Cod.159:** 215 gr. Four leaf barndoor with gel clips
- Cod.154:** 215 gr.Four leaf barndoor/wire guard assembly with gel clips
- Cod.152:** 190 gr. Accessory holder
- Cod.156:** 90 gr.Daylight dichroic filter
- Cod.157:** 90 gr. Safety glass
- Cod.158:** 90 gr. Diffuser glass
- Cod. PHO WD small:** White dome
- Cod.161:** 320 gr. Umbrella ø 80 cm.
- Cod.M026:** 50 gr. Umbrella universal adapter lite-tite
- Cod.106:** Mini Pro Alu stand (Minipro 051N)
- Cod.301:** Maxi Alu stand (compact 052)
- Cod.327:** Gag grip with 5/8" (16mm) spigot

## Photometrics

DISTANCE 3 m (300w -120/240v)	
light center value	873
beam angle= beam at 50% peak value	47°
field angle= beam at 10% peak value	92°

Fitting halogen lamps with: G 6,35 (bi-pin) base.  
64516 (300w - 3200°k) and 64540 (650w - 3400°k).



CODE 151



CODE 150

# REDHEAD (steel)

code 180/200

## Specifications

**Varibeam code 180** 800W - **code 200** 1000W - 120/240V

yoke mount  
kg.1,63

Extra-pure polished aluminium reflector.

Inside cup matt black finished

Lampholder type R7s.

Spot-flood rear knob.

Power cable 3,50 m. long, section 3x1,5 mm.2 CEI 20-35 Flame retardant Fire resistant

In-line switch 8 Amp. 250V (16 Amp. 125V) with fibre glass protective housing.

Yoke mount in aluminium with 5/8" (16mm) socket

## Accessories

**Code 118:** CE 200 gr. Wire guard with holder ring for barndoors and other accessories. Integrated to CE fixtures.

**Code 802:** 380 gr. Four leaf barndoor + gel clips

**Code 801:** 435 gr. Four leaf barndoor/wire guard assembly + gel clips

**Code 183:** 440 gr. Accessory holder

Accessories to be fitted in accessory holder 183:

**Code 195:** 20 gr. Wire guard

**Code 803:** 180 gr. Safety glass

**Code 805:** 180 gr. Diffuser glass

**Code 184:** 180 gr. Dichroic daylight filter

**Code 185:** 25 gr. Double scrim

**Code 186:** 20 gr. Single scrim

**Code 187:** 20 gr. Half double scrim

**Code 189:** 30 gr. Half single scrim

**Code PHO WD:** Medium White dome

**Code 182:** 550 gr. Umbrella diam. 100

**Code M026:** 350 gr. Umbrella universal adapter lite-tite

**Code 301:** Maxi Alu stand (compact 052)

**Code 106:** Mini Pro Alu stand (Minipro 051N)

**Code 327:** Gag grip with 5/8" (16mm) spigot

## Photometrics

DISTANCE 5 m (800w DXX)	SPOT	FLOOD
light center value	1235	445
beam angle= beam at 50% peak value	36°30'	69°
field angle= beam at 10% peak value	90°	129°
RATIO	1:2.78	

Fitting halogen lamps with R7s base.

Long 80mm: 800w P2/13 DXX - 600w L598 - 500w L600

Long 93mm: 1000w P2/35 13704 - 800w L603 - 600w L604



CODE 180 / 200



## Specifications

**Varibeam code 192** 800W - **code 212** 1000W - 120/240V  
yoke mount  
kg.1,410

**Varibeam code 190** 800W - **code 210** 1000W - 120/240V  
clamp + jointed arm mount  
kg.1,554

Extra-pure aluminium reflector; diffusing finish  
Lampholder cup matt black finished  
Lampsocket type R7s  
Spot-flood rear knob  
Power cable 3,50 m. long. Section 3x1,5 mmq  
CEI 20-35 Flame retardant Fire resistant  
In-line switch 8 Amp. 250V (16 Amp. 125V) with fibre glass protective housing.  
Yoke mount in aluminium with 5/8" (16mm) socket  
Clamp mount in fibre glass with hinged arm.

## Accessories

**Code 118:** CE 200 gr. Wire guard with holder ring for barndoors and other accessories.  
Integrated to CE fixtures.

**Code 802:** 380 gr. Four leaf barndoor + gel clips

**Code 801:** 435 gr. Four leaf barndoor/wire guard assembly + gel clips

**Code 183:** 440 gr. Accessory holder

Accessories to be fitted in accessory holder 183:

**Code 195:** 20 gr. Wire guard

**Code 803:** 180 gr. Safety glass

**Code 805:** 180 gr. Diffuser glass

**Code 184:** 180 gr. Dichroic daylight filter

**Code 185:** 25 gr. Double scrim

**Code 186:** 20 gr. Single scrim

**Code 187:** 20 gr. Half double scrim

**Code 189:** 30 gr. Half single scrim

**Code PHO WD:** Medium White dome

**Code 182:** 550 gr. Umbrella diam. 100

**Code M026:** 350 gr. Umbrella universal adapter lite-tite

**Code 301:** Maxi Alu stand (compact 052)

**Code 106:** Mini Pro Alu stand (Minipro 051N)

**Code 327:** Gag grip with 5/8" (16mm) spigot

## Photometrics

DISTANCE 5 m (800w DXX)	SPOT	FLOOD
light center value	1235	445
beam angle= beam at 50% peak value	36°30'	69°
field angle= beam at 10% peak value	90°	129°
RATIO	1:2.78	

Fitting halogen lamps with R7s base.

Long 80mm: 800w P2/13 DXX - 600w L598 - 500w L600

Long 93mm: 1000w P2/35 13704 - 800w L603 - 600w L604



CODE 190 / 210



CODE 192 / 212



## Specifications

**Varibeam code 800** 800W - **code 1000** 1000W - 120/240V  
yoke mount  
kg.1,490

**Varibeam code 900** 800W - **code 1100** 1000W - 120/240V  
clamp + jointed arm mount  
kg.1,634

Extra-pure polished aluminium reflector.  
Lampholder cup matt black finished.  
Lampsocket type R7s.  
Spot-flood rear knob.  
Power cable 3,50 m. long. Section 3x1,5 mm.2  
CEI 20-35 Flame retardant Fire resistant  
In-line switch 8 Amp. 250V (16 Amp. 125V) with fibre glass protective housing.  
Yoke mount in fibre glass with 5/8" (16mm) socket.  
Clamp mount in fibre glass with hinged arm.



CODE 900 / 1100

## Accessories

**Code 118:** CE 200 gr. Wire guard with holder ring for barndoors and other accessories. Integrated to CE fixtures.

**Code 802:** 380 gr. Four leaf barndoor + gel clips

**Code 801:** 435 gr. Four leaf barndoor/wire guard assembly + gel clips

**Code 183:** 440 gr. Accessory holder

Accessories to be fitted in accessory holder 183:

**Code 195:** 20 gr. Wire guard

**Code 803:** 180 gr. Safety glass

**Code 805:** 180 gr. Diffuser glass

**Code 184:** 180 gr. Dichroic daylight filter

**Code 185:** 25 gr. Double scrim

**Code 186:** 20 gr. Single scrim

**Code 187:** 20 gr. Half double scrim

**Code 189:** 30 gr. Half single scrim

**Code PHO WD:** Medium White dome

**Code 182:** 550 gr. Umbrella diam. 100

**Code M026:** 350 gr. Umbrella universal adapter lite-tite

**Code 301:** Maxi Alu stand (compact 052)

**Code 106:** Mini Pro Alu stand (Minipro 051N)

**Code 327:** Gag grip with 5/8" (16mm) spigot

## Photometrics

DISTANCE 5 m (800w DXX)	SPOT	FLOOD
light center value	1235	445
beam angle= beam at 50% peak value	36°30'	69°
field angle= beam at 10% peak value	90°	129°
RATIO	1:2.78	

Fitting halogen lamps with R7s base.

Long 80mm: 800w P2/13 DXX - 600w L598 - 500w L600

Long 93mm: 1000w P2/35 13704 - 800w L603 - 600w L604



CODE 800 / 1000

# COMPACTBEAM MO/PO



cod. 1610/220

## Caratteristiche

### Compactbeam 1610 P.O.

2000W 120/240V a forcella kg. 3,870

### Compactbeam/Varibeam 220 M.O.

2000W 120/240V a forcella kg. 3,070

Calotta esterna in alluminio (1610); in acciaio (220).  
Verniciatura esterna epossidica antigraffio.  
Colore standard giallo ocra, su richiesta nero  
Internamente nero opaco resistente.  
Specchio in alluminio extra puro brillantato.  
Finitura diffondente sui modelli 1610  
Comando spot-flood a palo sui modelli 1610  
Comando manuale con manopola posteriore sul modello 220 .  
Forcella in alluminio con codolo femmina  $\varnothing$  16 mm. (5/8")  
Cavo lungo 3,50 m.Sez.3x2,5 mm<sup>2</sup>.CEI 20-22.  
Interruttore 10Amp. 250V (20Amp. 125V), lungo il cavo con scatola di protezione.

## Accessori

Solo modello 1610 :

**Cod. 1612:** 1,076 gr. Paraluce a 4 alette con clips fermagelatina.

Solo modello 220:

**Cod. 226:** 296 gr. Rete di sicurezza con portaccessori.

**Cod. 221:** 886 gr. Paraluce a 4 alette con clips fermagelatina.

**Cod. 227:** 980 gr. Paraluce a 4 alette con rete di protezione e clips fermagelatina.

**Cod. 222:** 545 gr. Portaccessori.

Altri accessori per Compactbeam 1610 o portaccessori 222:

**Cod. 228:** 90 gr. Rete di sicurezza.

**Cod. 231:** 460 gr. Vetro di protezione

**Cod. 223:** 460 gr. Filtro dicroico di conversione 3200°k - 5600°K.

**Cod. 225:** 110 gr. Diffusore a maglia larga.

**Cod. 224:** 160 gr. Diffusore a maglia stretta.

**Cod. 230:** 90 gr. 1/2 Diffusore a maglia larga.

**Cod. 229:** 110 gr. 1/2 Diffusore a maglia stretta.

**Cod. 236:** Stativo Master (master 004) alluminio

**Cod. 302:** Stativo Mini (ranker 005MT) acciaio

**Cod. 303:** Stativo Maxi (master 004MT) acciaio

**Cod. 338:** Pinzone maschio 16mm.

## Dati fotometrici

DISTANZA 3 m (2000w)	cod. 1610		cod. 220	
	SPOT	FLOOD	SPOT	FLOOD
valore d'illuminazione centrale LUX	3984	948	3250	1646
angolo al 50% del valore centrale (fascio)	31°	80°	36°	56°
angolo al 10% del valore centrale (campo)	74°	107°	74°	96°
rapporto spot/flood	1:4.2		1:1.97	

Monta lampade alogene RX7s tipo FEX 3200°K



COD. 1610



COD. 220



## Specifications

Symmetric lamp

Construction: steel and fibre glass

Black epoxy anti-scratch finish

Extra-pure aluminum reflector diffusing finish

Lampholder R7s

Fitting halogen lamps 800w P2/11 and 1000w P2/28 (3200° K)

Aluminum yoke with 5/8" (16 mm.) socket

Power cable 3,50 m. long. Section 3x1,5 mm2. CEI 20-35 Flame retardant, Fire resistant

In-line switch 8 Amp. 250V (16 Amp. 125V) with housing

Supplied with integral wire guard and four leaf barndoor + gel clips

Weight minilite 2,090 kg. (complete)

## For architectural applications

Minilite can be fitted with long life lamps: K11 200w - K9 300w - K1 500w

## Accessories

**Code 301:** Maxi Alu stand (compact 052)

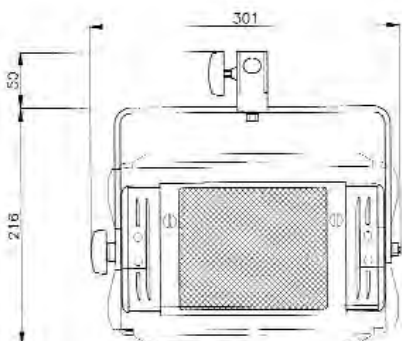
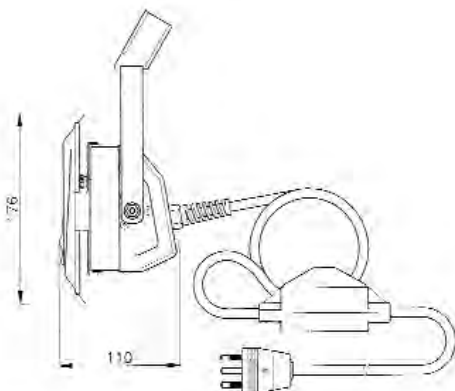
**Code 106:** Mini Pro Alu stand (Minipro 051N)

**Code 327:** Gag grip with 5/8" (16mm)spigot

## Photometrics

DISTANCE 3 m (1000w -P2/28)	
light center value	1250
LxH m (beam)	6,66 x 5,03
LxH m (field)	13,4 x 10,8

Fitting halogen lamps with  
R7s base 117mm long (P2-11; P2-28)





# BACKLITE

code 175

## Specifications

Asymmetric lamp

Construction: steel and fibre glass

Black epoxy anti-scratch finish

Extra-pure aluminum reflector; diffusing finish

Lampholder R7s

Fitting halogen lamps 800w P2/11 and 1000w P2/28 (3200° K)

Aluminum yoke with 5/8" (16 mm.) socket

Power cable 3,50 m. long. Section 3x1,5 mm<sup>2</sup>. CEI 20-35 Flame retardant, Fire resistant

In-line switch 8 Amp.250V (16 Amp. 125V) with housing

Supplied with integral wire guard and four leaf barndoor + gel clips

Weight 2,070 kg. (complete)

## Accessories

**Code 327** : Gag grip with 5/8" (16mm) spigot

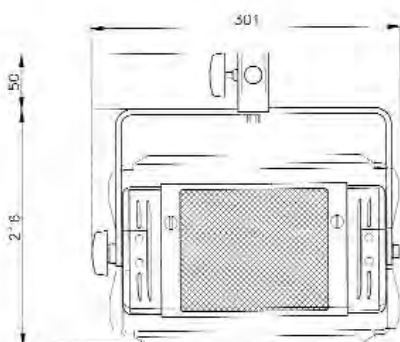
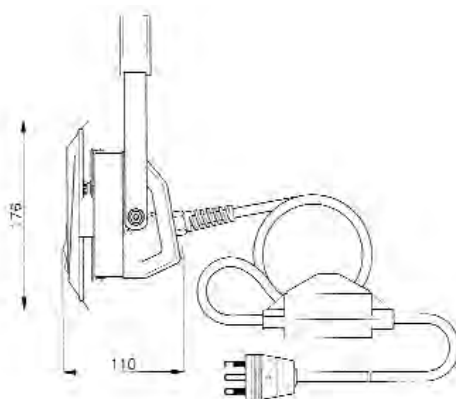
**Code 106** : Mini Pro Alu stand (Minipro 051N)

**Code 301** : Maxi Alu stand (compact 052)

## Photometrics

**BACKLITE 1000W** positioned downward (inclination 45°) at 1m from a background high 3m, offers a reflected even illumination of 270Lx at 3m.

Fitting halogen lamps with R7s base 117mm long (P2-11; P2-28)



# MINISPOT

code 1200



## Specifications

Construction: cast aluminum  
Heat resistant matt black finish  
Fresnel lens Ø 80 mm. (3 1/4" ) F 50  
Extra-pure aluminum reflector  
Lampholder GY 9,5  
Fitting lamps 300w CP81 e 500w CP82 (3200°k)  
Spot-flood rear knob  
Aluminum yoke with 5/8" (16 mm.) socket  
Power cable 3,50m. long, section 3x1,5mmq CEI 20-35 Flame retardant, Fire resistant  
In-line switch 8 Amp. 250V (16 Amp. 125V)  
Available with dimmer in-line.(60-500W 230V AC, 50Hz)  
Supplied with integral wire guard  
Weight 2,150 kg. (without accessories)

## Accessories

**Code 1206:** 30 gr. Wire guard.  
**Code 1201:** 280 gr. Four leaf barndoor + gel clips.  
**Code 1202:** 50 gr. Gel frame.  
**Code 1207:** 25 gr Double scrim.  
**Code 1208:** 20 gr. Single scrim.  
**Code 1209:** Halfsingle scrim  
**Code 1210:** Halfdouble scrim  
**Code 1203:** 280 gr. Cone variable front diameter 30-50-70 mm.  
**Code 1205:** 50 gr. Table stand with 5/8" (16 mm.) spigot.  
**Code 106:** Mini Pro Alu stand (Minipro 051N)  
**Code 301:** Maxi Alu stand (compact 052)  
**Code 327:** Gag grip with 5/8" (16mm) spigot

## Photometrics

DISTANCE 5 m (2000w)	SPOT		FLOOD	
	CP81	CP82	CP81	CP82
light center value	2220	2860	490	998
beam angle= beam at 50% peak value	12°30'	15°30'	46°	44°
field angle= beam at 10% peak value	22°40'	27°40'	62°45'	58°40'
RATIO	1:4.5 (CP81) 1:2.87(CP82)			

Fitting halogen lamps with GY9,5 base





## Specifications

**Minirama** fixtures are the ideal solution for lighting evenly cycloramas and backgrounds.

**Minirama** can be used in a wide range of combinations from single-cell unit up to 4-cell fixture, so as to may obtain a more powerful illumination and more chromatic effects.

**Minirama** can be also used as groundrow unit.

**Minirama** cells fit 625W, 1000W and 1250W quartz-halogen bulbs, R7s based and 190mm long.

Construction: steel housing

Finish: Heat resistant matt black

Mirror: Extra pure aluminium; diffusing finish

Lampholder: R7s

Yoke mount: Manual and Pole operated

Power cable: 1 m long - section 3x1,5mmq CEI 20-35 Flame retardant, Fire resistant

Weight: 3,2 kg. - single unit (M.O.); 6,3 kg. - single unit (P.O.)



## Photometrics

**MINIRAMA 1250W** positioned downward (inclination 10°/11°) at 2,85m from a background high 7,5m, offers an illumination range of 1000Lx (top) - 230Lx (ground).  
Ideal distance of Miniramas in a downward row is 2,5m (centre-centre).

If positioned upward in the same conditions, the illumination ranges from 1150Lx (top) to 320Lx (ground).  
Ideal distance of Miniramas in an upward row is 2m (centre-centre).

# SOLARIS SILVER 300W MO



code 1630 SIL

## Specifications

Construction all in aluminium.  
Colour matt silver anodized heat resistant.  
Fresnel lens diam. 80mm F40 - 14.  
Lampholder GY9,5.  
Fitting halogen lamps 300W CP81(3200°K)  
Spot Flood control Manual.  
M.O. Yoke mount in aluminium, with 5/8" (16mm) diam. spigot.  
Power cable 3x1mm<sup>2</sup> 3,5 m. long. HAR H07 RN  
8 Amp. 250V switch in line (16Amp. 125V).  
Inox safety wire guard.  
Supplied complete with gel frame and barndoor.  
Weight : MO 1,33 Kg. Without cable.

## Accessories

**Code 1631:** Four leaf rotating barndoor (supplied with lamphead)

**Code 1632:** Gel frame (supplied with lamphead)

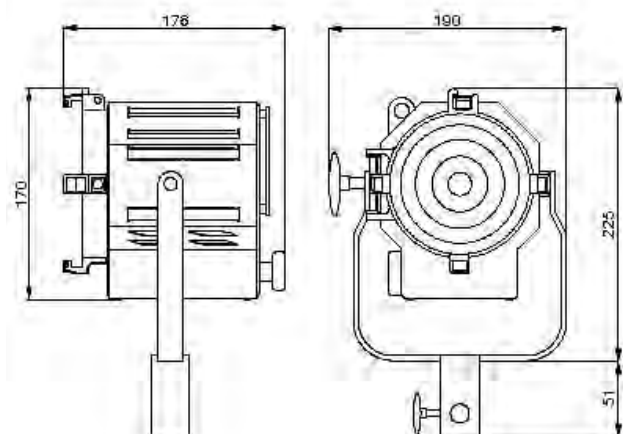
## Photometrics

DISTANCE 3 m	SPOT	FLOOD
light center value	1960	440
beam angle= beam at 50% peak value	13°	52°
field angle= beam at 10% peak value	na	na
RATIO	na	

Fitting halogen lamps with GY9,5 base



1630 SIL



Available in **Gold** (1630 GL) and **Black** (1630)

# SOLARIS 650 MO/PO



code 1650

## Specifications

Front and rear frame in aluminium 2mm.  
 Lens door die cast aluminium.  
 Body housing in steel .  
 Colour matt black heat resistant.  
 Fresnel lens diam. 120 mm F80 - 32.  
 Lampholder GY9,5.  
 Fitting halogen lamps 650W CP89, 64717, 6638 (3200°K)  
 Spot Flood control Manual or Pole operated.  
 M.O. Yoke mount in aluminium with 5/8" (16mm) socket  
 P.O. Yoke mount in steel with 1-1/8" (29mm) spigot.  
 Power cable 3x1mmq 3,5 m. long. Titanex HAR H07 RN  
 8 Amp. 250V switch in line (16Amp. 125V).  
 Inox safety wire guard.  
 Supplied complete with gel frame and barndoor.  
 Weight : MO 2,100 Kg. - PO 4,800 Kg. Without cable.

## Accessories

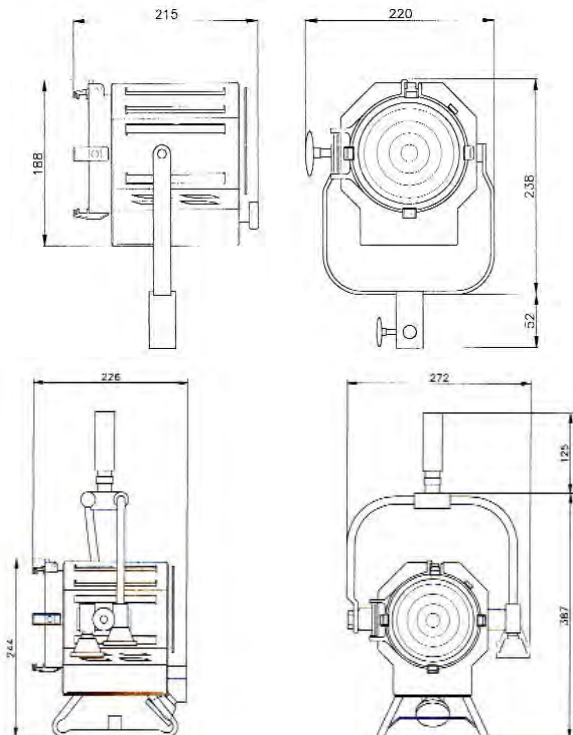
**Code 1651:** Four leaf rotating barndoor (supplied with lamphead)

**Code 1652:** Gel frame (supplied with lamphead)

## Photometrics

DISTANCE 3 m	SPOT	FLOOD
light center value	8650	1250
beam angle= beam at 50% peak value	8°	47°
field angle= beam at 10% peak value	16°	60°
RATIO	1:7	

Fitting halogen lamps with GY9,5 base



1650 M.O.



1650 P.O.

# SOLARIS SILVER 650W MO



code 1650 SIL

## Specifications

Construction all in aluminium.  
Colour matt silver anodized heat resistant.  
Fresnel lens diam. 120 mm F80 - 32.  
Lampholder GY9,5.  
Fitting halogen lamps 650W CP89, 64717, 6638 (3200°K)  
Spot Flood control Manual.  
M.O. Yoke mount in aluminium, with 5/8" (16mm) diam. spigot.  
Power cable 3x1mmq 3,5 m. long. HAR H07 RN  
8 Amp. 250V switch in line (16Amp. 125V).  
Inox safety wire guard.  
Supplied complete with gel frame and barndoor.  
Weight : MO 1,80.Kg. Without cable.

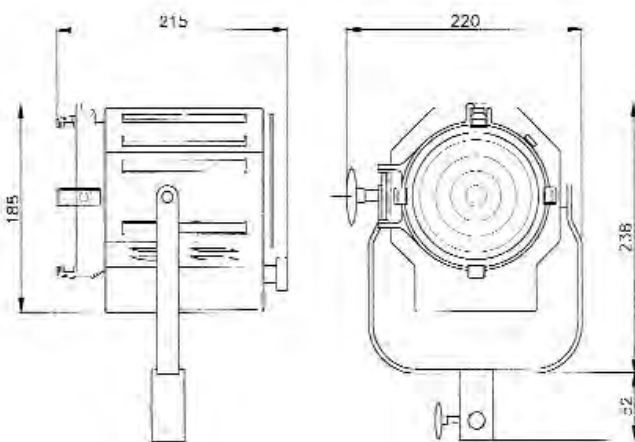
## Accessories

**Code 1651:** Four leaf rotating barndoor (supplied with lamphead)  
**Code 1652:** Gel frame (supplied with lamphead)

## Photometrics

DISTANCE 3 m	SPOT	FLOOD
light center value	8650	1250
beam angle= beam at 50% peak value	8°	47°
field angle= beam at 10% peak value	16°	60°
RATIO	1:7	

Fitting halogen lamps with GY95 base.



1650 SIL



1650 GL

Available in **Gold** (1650 GL)

# GULLIVER 300W



code 1760

## Specifications

**Gulliver 30:** 300w - 120/240V  
yoke mount - kg.0,650

with dimmer: **code 1760 dim**

Lightweight construction in aluminum  
Front radiator housing  
Spot/flood by rear knob  
Integral safety glass  
Switch 6Amp. 230V - 12Amp. 125V placed on the rear panel.  
Extra-pure aluminium reflector  
Epoxy anti-scratch finish  
Lamp type 64516 osram (300w - 3200°k) 230v  
Lampholder: G 6,35.  
Power cable 3,50m. long, section 3 x 0,75 mmq  
Available in-line dimmer 60-300W 230V AC, 50Hz



CODE 1760 with accessories

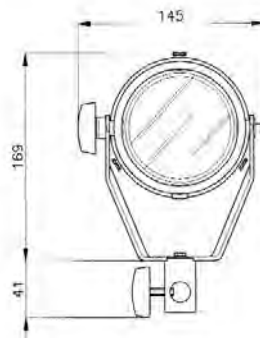
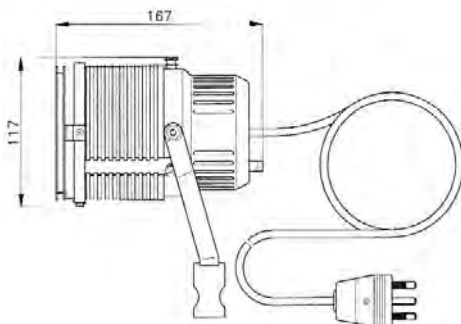
## Accessories

- Code 1701:** 110 gr. Four leaf barndoor + gel clips
- Code 1702:** 90 gr. Dichroic daylight filter
- Code 1703:** 90 gr. Diffuser glass
- Code 1705:** Short camera mount
- Code PHO WD small:** White dome
- Code 161:** 320 gr. Umbrella ø 80 cm.
- Code M026:** 350 gr. Umbrella universal adapter lite-tite
- Code 106:** Mini Pro Alu stand (Minipro 051N)
- Code 301:** Maxi Alu stand (compact 052)
- Code 327:** Gag grip with 5/8" (16mm) spigot

## Photometrics

	DISTANCE 1m		DISTANCE 2m		DISTANCE 3m	
	SPOT	FLOOD	SPOT	FLOOD	SPOT	FLOOD
Øbeam	60	80	1,20	1,70	1,80	2,50
LUX	9860	5000	2640	1320	1190	680

Fitting halogen lamps with G 6,35 (bi-pin)base 3200°K



CODE 1760

# SOLARIS IKW PO/MO



code 1800

## Specifications

Front and rear frame in aluminium 2mm thick.  
Lens door die cast aluminium.  
Body housing in steel.  
Colour matt black heat resistant.  
Fresnel lens diam. 152mm F100-55 (or 150mm 110-60).  
Extra-pure aluminum reflector 99,99%.  
Lampholder G22.  
Fitting halogen lamps 650W CP68, 1000W CP71, 1200W CP93 (3200°K)  
Spot Flood control Manual or Pole Operated.  
M.O. and P.O. Yoke mount in steel, with 1-1/8" (29mm) spigot.  
Power cable Titanex HAR H07 RN - section 3x1,5mmq  
4m. long for M.O. , 3m. long for P.O.  
8 Amp. 250V switch on board (16Amp. 125V).  
Inox safety wire guard.  
Supplied with gel frame and wireguard.  
Weight 5,600 Kg M.O. - 7,315 kg. P.O. Without cable.



CODE 1800 P.O.

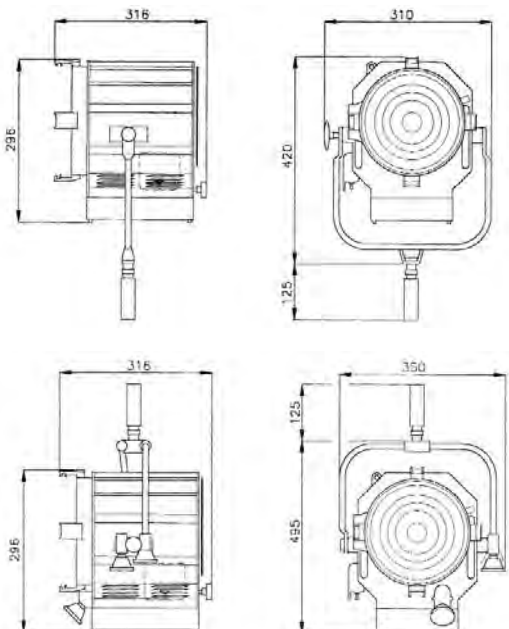
## Accessories

**Code 1801:** 530 gr. (supplied with lamphead) Four leaf rotating barndoor.  
**Code 1802:** 130 gr. (supplied with lamphead) Gel frame.  
**Code 1804:** Single scrim.  
**Code 1805:** Double scrim.  
**Code 1806:** Half single scrim.  
**Code 1807:** Half double scrim.  
**Code 315:** C clamp with 29mm socket

## Photometrics

DISTANCE 3 m	SPOT	FLOOD
light center value	12630	962
beam angle= beam at 50% peak value	6°	61°
field angle= beam at 10% peak value	12°	69°
RATIO	1:13,1	

Fitting halogen lamps with G22 (Bi-post 22) base.



CODE 1800 M.O.

# SOLARIS SILVER IKW MO



code 1800 SIL

## Specifications

Construction all in aluminium.  
Colour matt silver anodized heat resistant.  
Fresnel lens diam. 152mm F100-55 (or 150mm F110-60).  
Extra pure aluminium coated mirror 99.99%  
Lampholder G22.  
Fitting halogen lamps 650W CP68,  
1000W CP71, 1200W CP93 (3200°K)  
Spot Flood control Manual.  
M.O.Yoke mount in steel, with 1-1/8" (29mm) spigot.  
Power cable Titanex HAR H07 RN - section 3x1,5mmq  
4m. long for M.O.  
8 Amp. 250V switch on board (16Amp. 125V).  
Inox safety wire guard.  
Supplied complete with Gel frame and barndoor.  
Weight 4,95 Kg M.O. Without cable.

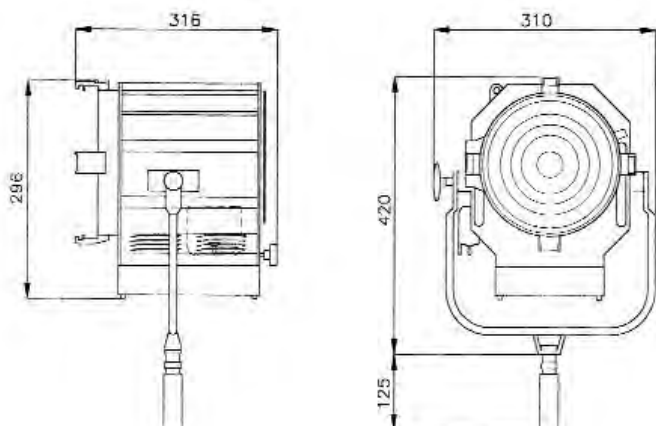
## Accessories

**Code 1801:** 530 gr. (supplied with lamphood) Four leaf rotating barndoor.  
**Code 1802:** 130 gr. (supplied with lamphood) Gel frame.  
**Code 1804:** Single scrim.  
**Code 1805:** Double scrim.  
**Code 1806:** Half single scrim.  
**Code 1807:** Half double scrim.  
**Code 315:** C clamp with 29mm socket

## Photometrics

DISTANCE 3 m	SPOT	FLOOD
light center value	12630	962
beam angle= beam at 50% peak value	6°	61°
field angle= beam at 10% peak value	12°	69°
RATIO	1:13,1	

Fitting halogen lamps with G22 (Bi-post 22) base.



CODE 1800 SIL



CODE 1800 GL

Available in Gold (1800 GL)

# SOLARIS 2KW PO/MO



code 1850

## Specifications

Front and rear frame in aluminium 2mm thick  
Lens door die cast aluminium  
Body housing in steel  
Colour matt black heat resistant  
Fresnel lens Ø 250 mm. - F120-45  
Extra-pure aluminum reflector 99,99%  
Lampholder G38 (Bi-post 38)  
Fitting halogen lamps 2000W CP41 (3200°k)  
Spot Flood control Manual or Pole Operated  
M.O. and P.O. Yoke mount in steel, with 1-1/8" (29mm) spigot  
Power cable Titanex HAR H07 RN - section 3x2,5mmq  
5,0 m. long for M.O. , 3,0 m. long for P.O.  
10 Amp. 250V switch on board (20Amp. 125V)  
Inox safety wire guard  
Supplied with gel frame and wireguard  
Weight 11,600 Kg M.O. - 13,300 kg. P.O. Without cable

## Accessories

**Cod. 1851:** 580 gr. (supplied with lamphood) Four leaf rotating barndoor.

**Cod. 1852:** 170 gr. (supplied with lamphood) Gel frame.

**Cod. 1853:** Single scrim.

**Cod. 1854:** Double scrim.

**Cod. 1855:** Half single scrim.

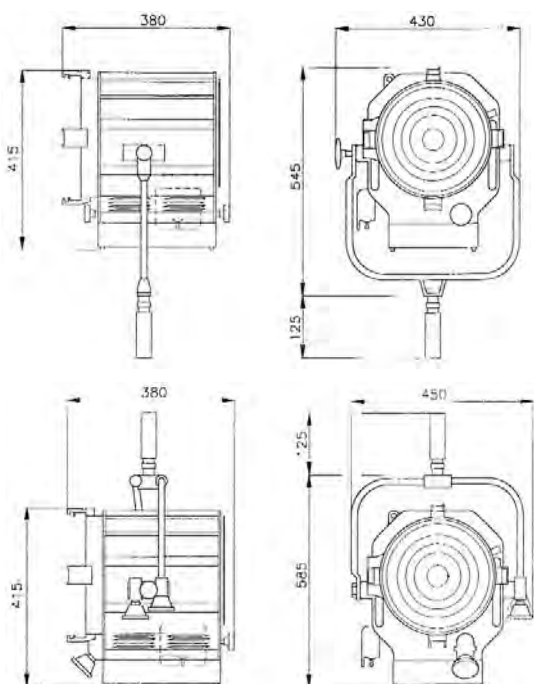
**Cod. 1856:** Half double scrim.

**Cod. 315:** C clamp with 29mm socket

## Photometrics

DISTANCE 5 m	SPOT	FLOOD
light center value	13200	1065
beam angle= beam at 50% peak value	7°30'	58° 30'
field angle= beam at 10% peak value	31°	69° 40'
RATIO	1:12,4	

Fitting halogen lamps with G38 (Bi-post 38) base.



CODE 1850 P.O.



CODE 1850 M.O.

# SOLARIS SILVER 2KW MO



code 1850 SIL

## Specifications

Construction all in aluminium.  
Colour matt silver anodized heat resistant.  
Fresnel lens Ø 250 mm. - F120-45.  
Extra-pure polished aluminum reflector 99,99%.  
Lampholder G38 (Bi-post 38).  
Fitting halogen lamps 2000W CP41 (3200°k).  
Spot Flood control Manual .  
M.O. Yoke mount in steel, with 1-1/8" (29mm) spigot.  
Power cable Titanex HAR H07 RN - section 3x2,5mmq  
5,0 m. long for M.O.  
10 Amp. 250V switch on board (20Amp. 125V).  
Inox safety wire guard.  
Supplied with gel frame and wireguard.  
Weight ..... Kg M.O. Without cable.

## Accessories

**Cod. 1851:** 580 gr. (supplied with lamphead) Four leaf rotating barndoor.  
**Cod. 1852:** 170 gr. (supplied with lamphead) Gel frame.  
**Cod. 1853:** Single scrim.  
**Cod. 1854:** Double scrim.  
**Cod. 1855:** Half single scrim.  
**Cod. 1856:** Half double scrim.  
**Cod. 315:** C clamp with 29mm socket

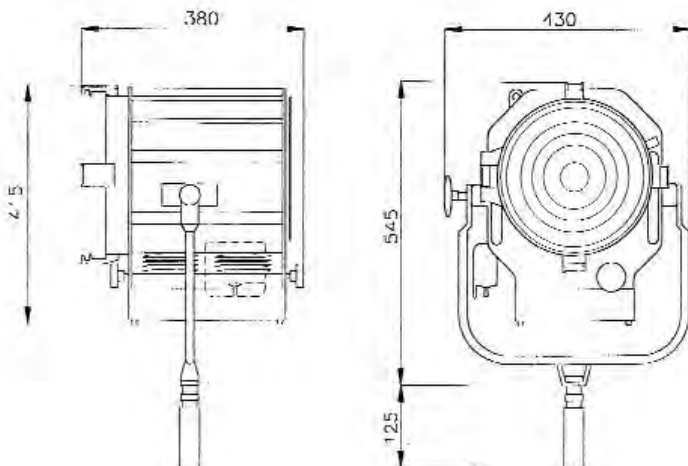
## Photometrics

DISTANCE 5 m	SPOT	FLOOD
light center value	13200	1065
beam angle= beam at 50% peak value	7°30'	58° 30'
field angle= beam at 10% peak value	31°	69° 40'
RATIO	1:12,4	

Fitting halogen lamps with G38 (Bi-post 38) base.



CODE 1850 SIL



# IANIRO



On board  
18,7W - 9,3W 12V

code 1970

**Switch & Go: ready for use.**

Power cable and connector Power Tap/D-Mount,  
Four leaf barndoor, CTO 3200° K filter and diffuser

**Category: ENG**

**Application: Broadcast**

The popular Ianiro On Board 12V lights, ALADDIN and DVCam\_light, have been renewed and based on LED technology. Many lights in this segment use older-generation LEDs, which are not efficient for professional television productions.

For the IANILEDs, Ianiro has put together a more careful selection of LEDs and has better engineered the PCB layout. The resulting package is unique in the market; and one exclusive to Ianiro.

The experience gained with IANILEDs has taught us that the selection of precise LED colour groups, suitable for TV productions, combined with custom-designed PCBs that are not commonly available on the market, is a winning choice.

Only very specific selections of LEDs and the customization of their assembly arrays will ensure real efficiency and the right balance between consumption, performance and longevity. The customer receives superb value

for money and avoids the disappointments from inflated expectations of non-professional LED marketing.

ALADDIN LED therefore uses a specific range of the latest-generation "Osram Oslon SSL" LEDs.

OSLON SSL is an exceptionally small light source designed to maximize application efficiency. Mounted in a new LED package specially engineered to enable slim and compact lighting designs, it delivers directed light with outstanding efficiency from an incredibly small source. It's ideal for our compact ALADINO on-board light.

Ianiro Assembly provides a mixed configuration with 6 white LED Oslon with Cx and Cy chromaticity coordinates selected in the group of greatest light output, and an amber LED Oslon - also fully tested - to supplement the native spectrum of white LED. All while maintaining a colour temperature that is ideal for video shooting.

The mix combines the highest possible flux with a natural skin tone and a pleasant light. The decision to develop a more sophisticated assembly compared to off-the-shelf packages stemmed from Ianiro's priority to deliver quality products to cameramen - even for quick and simple ENG shots.

A bad image will always go to the detriment of professional cameramen. Whatever the tools of the trade, they are the ones who are always judged by their images.

The electronic control is both simple and instant compared to the IANILEDs, which are FIELD (not ENG) production lights. It features a Dimmer control only, with a colour temperature kept constant right across the dimmer range. A down conversion to tungsten is made by on-board flip up/ flip down CTO orange filter.

The all-in-one set includes Barndoors and D-Mount / Power Tap connector. So you're "Ready to go".

# Aladdin LED

## Features

- ULTRA COMPACT DESIGN AND ROBUST CONSTRUCTION
- DIMMER FROM 0% TO 100% WITHOUT CHANGE OF THE COLOUR TEMPERATURE
- QUICK WHITE TUNE: WARM - NORMAL - COOL
- 80° WIDE BEAM FOR 16:9 PRODUCTION
- EVEN LIGHT BEAM FROM EDGE TO EDGE, OPTIMIZED WITH THE REFLECTOR
- NO FRAGMENTATION OF THE SHADOWS
- EXCLUSIVE IANIRO ARRAY OF SELECTED LEDS FOR HIGH CRI
- VARIABLE HEIGHT WITH HINGED ARM
- STABLE AND UNIVERSAL CAMERA MOUNTING.
- PLUG-IN INTERCHANGEABLE CONNECTORS  
A(STANDARD: POWER TAP/SONY D-MOUNT TYPE. OTHERS ON REQUEST)
- SUPERIOR QUALITY GERMAN REFLECTOR ALUMINIUM 99,99% EXTRA PURE (HIGHLY REFLECTIVE)

### ELECTRICAL DATA

#### Power Consumption

	OFF	0	350mA	700mA
12V	4mA	11mA	0,78Amp	1,56Amp
14,4V	4mA	11mA	0,62Amp	1,28Amp

#### Power dissipation (to battery)

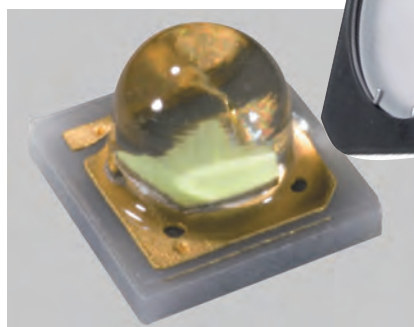
	350mA	700mA
12V	9,36W	18,72W
14,4V	8,93W	18,43W

#### Photometric data

	350mA	700mA	Field
1m	350 lx	610 lx	1,67 m
2m	87 lx	160 lx	3,36 m
3m	39 lx	70 lx	5,03 m

#### Assembly luminance

350mA	700mA
770lm	1386lm



## Features of the Ianiro exclusive array

- 6 Oslon cool white and 1 Oslon amber of Cx and Cy selected groups for a final package colour temperature of 5600°k (+/- 200°k) and HIGH CRI >90. Placed on Ianiro custom PCBs.
- Variable Drive current 350mA (dimmer at 50%) and 700mA (dimmer at 100%).
- White tune quick sets at Normal 5600°k, Warm 4500°k and Cool 6500°k.
- Down conversion filter to 3200°k on board.
- Barndoor on board.
- Diffuser filter on board.
- Dimmable 100% without colour temperature change.
- Beam angle 80°.



On-board quick control panel

## General Features of LED Oslon SSL

OSLON® SSL is a powerful LED offering top efficiency at higher currents up to 1 A. This enables cost-efficient, resource-saving designs that require not only fewer LEDs, but also high light output. So ideal for our professional Aladdin on-board camera light.

OSLON® SSL is also optimized for coupling into secondary optics, designed to meet specific applications like ours, thanks to its 80° viewing angle. The primary lens ensures optimal distribution and consistency within the radiation angle. Also its excellent thermal management fits the critical conditions of use that Aladdin demands.

- SMD ceramic package with silicon resin with lens
- Lead free (Pb), RoHS compliant
- Small size (3x3mm) high-flux LED for slim designs and high density arrays
- Viewing angle 80°. Maintained by the Aladdin design
- Lifetime of up to more than 50,000 hours, depending on conditions of use.
- **Anti-droop improvement**

The droop is the progressive decrease of the luminous efficiency in respect of an increase of the driven current: doubling the current, the luminous flux is not doubled, but just 50% more. This behaviour makes it inefficient to deliver small LED fixtures at high current.

Oslon brings this ratio to an excellent 1:8, making it convenient to offer the cameramen a light with both 350mA and 700mA option, by just a simple and quick on board dimming.



IANIRO ALDO Srl  
Via Ragusa, 5 - 00041 Pavona (RM)  
tel. +39 06 9310198 - fax +39 06 93162162

ianiro@ianiro.com | www.ianiro.com

# IANIRO



## Specifications

Category : **EFP**

Application : **location light for HDTV productions on the field**

AC 300W 220/230V robust and lightweight : a broad and diffused spread of light matching the HD characteristics (16:9 i1080). Focusable and dimmable for maximum flexibility. Fitted with built-in umbrella adapter **SPEED SOFT**.

Supplied fully equipped in Set READY TO GO.

(diffuser, barndoor and lamp included in the price)

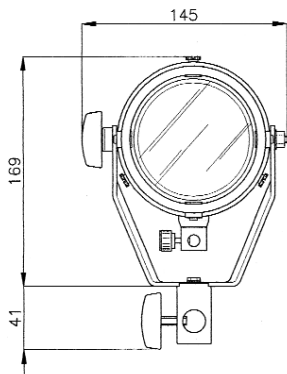
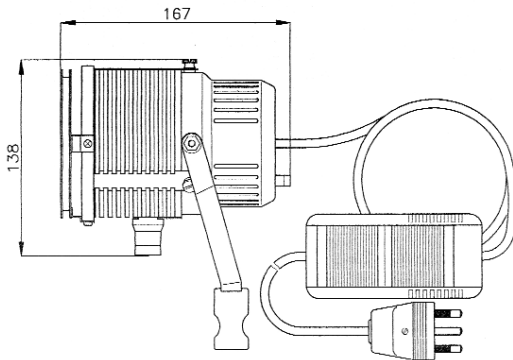
- Superior quality aluminium reflector materials 99,99% extra pure.
- Computer aided reflector design & coatings (by proprietary laniro software).
- Robust and durable construction.
- Wide beam apertures. Variable spot-flood.
- Built-in Speed Soft umbrell adapter.
- Universal stand mount 16mm compatible with handle.
- Power cable 3,50 long, section 3x0,75 with in-line dimmer



HDVIDEO KIT

## Photometrics

	DISTANCE 1m		DISTANCE 2m		DISTANCE 3m	
	SPOT	FLOOD	SPOT	FLOOD	SPOT	FLOOD
Øbeam	60	80	1,20	1,70	1,80	2,50
LUX	9860	5000	2640	1320	1190	680



SPEEDSOFT DIFFUSER UMBRELLA WITH ATTACHMENT SPIGOT ON BOARD





## Specifications

Category : **EFP**

Application : **complete entry level kit for the budding Digital Video enthusiasts**

Dual output (300w and 650w lamp options), durable, lightweight and simple construction. As per portrait in digital photography, this light delivers a very wide and even light beam for perfect fill lighting with wide angle lenses in interview close-ups. Built-in umbrella adapter SPEED SOFT.

Supplied fully equipped in Set READY TO GO.

(diffuser, barndoor and lamp included in the price)

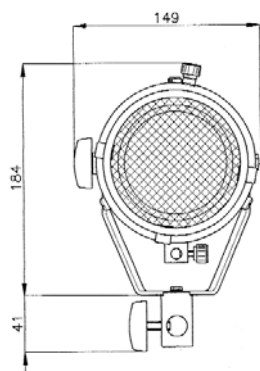
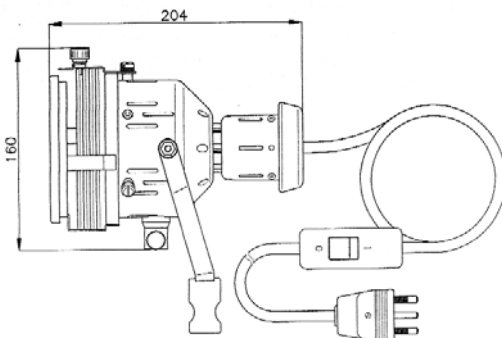
- Superior quality aluminium reflector materials 99,99% extra pure.
- Computer aided reflector design & coatings (by proprietary Ianiro software).
- Robust and durable construction.
- Even and very wide light beam ( **Fixed focus** )
- Built-in Speed Soft umbrella adapter.
- Universal stand mount 16mm compatible with handle.
- Power cable 3,50m long, section 3x1 mmq, Titanex HAR H07 RN



DIGIDUAL KIT

## Photometrics

DISTANCE 3 m (300w -120/240v)	
light center value	873
beam angle= beam at 50% peak value	47°
field angle= beam at 10% peak value	92°



SPEEDSOFT DIFFUSER UMBRELLA WITH ATTACHMENT SPIGOT ON BOARD



# SOFTLIGHT 2500

code 410



## Specifications

Construction: Pressed aluminum  
Black epoxy anti-scratch finish on outside  
High temperature matt white on inside  
Extra-pure aluminum reflector for each lamp; Diffusing finish  
Lampholder R7s  
Fitting lamps 625w P2/10, 1000w P2/7 and 1250w P2/12 (3200°k)  
Rotating lamp bar with tilt lock for a double use for the luminaire as a Soft (indirect) or Broad (direct) light source  
Aluminum yoke with 1-1/8" (29 mm.) spigot  
Cable lenght 4m. section 3x2,5 mmq Titanex HAR H07 RN  
Supplied with integral wire guard for each lamp.  
Independent switching for each lamp.  
Weight M.O. 8,7 kgs. - P.O. 9,8 kgs.



## Accessories

**Cod. 411:** 1,250 gr. Filter holder

## Photometrics

DISTANCE 5 m (2500w - P2/10)	HORIZ. AXIS	VERT. AXIS
light center value	460	460
beam angle= beam at 50% peak value	104°	92°
field angle= beam at 10% peak value	151°	141°

Fitting 2 halogen lamp with R7s base.



Revolving Bar



Switches panel  
(Independent switching for each lamp.)



Pole operated

# SOFTLIGHT 1250

code 420



## Specifications

Construction: Pressed aluminium.  
Black epoxy anti-scratch finish on outside;  
High temperature matt white on inside.  
Extra-pure aluminum reflector for each lamp; diffusing finish.  
Lampholder R7s.  
Fitting lamps 625w P2/10, 1000w P2/7 and 1250w P2/12 (3200°k)  
Rotating lamp bar with tilt lock for a double use for the luminaire as  
a Soft (indirect) or Broad (direct) light source.  
Aluminum yoke with 1-1/8" (29 mm.) spigot M.O. and P.O.  
Cable lenght 4m. Section 3x1,5 mm2. Titanex HAR H07 RN  
Supplied with integral wire guard for each lamp.  
Independent switching for each lamp.  
Weight M.O. 4,90 kgs. - P.O. 6,7 kgs.



## Accessories

Cod. 421: 1,250 gr. Filter holder

## Photometrics

DISTANCE 5 m (2500w - P2/10)	HORIZ. AXIS	VERT. AXIS
light center value	237	237
beam angle= beam at 50% peak value	88°	81°
field angle= beam at 10% peak value	140°	137°

Fitting 1 halogen lamp with R7s base.



Revolving Bar



Switches panel



Pole operated



# ICE2

## IANIRO COOL EQUIPMENT

**ICE2**: 125W Weight 6.5 kg  
Candelas 3,800 Lamp 2x PL-L 55 W



### Dimming Options

**Code 70165 Non-Dim** models are "switch-on/switch-off", so cannot be dimmed and must be used on a non-controlled A/C line.

**Code 70166 Basic** models are dimmed by turning a potentiometer at the back of the unit. They must be used on a non-controlled A/C line.

**Code 70167 DMX** models have a built-in DMX receiver which is set at any address between 1 and 512. They are dimmed by the DMX console. They must be used on a non-controlled A/C line.

**Code 70168 Phase** models are connected to a controlled A/C line (triac or thyristor dimmer) and can only be dimmed by such an external dimmer.

### Accessories

**Code 70264** Grid spot 40°

**Code 70266** Grid spot 60°

**Code 70526** Pole operated yoke mount

**Code 70526** UPG pole operated upgrade

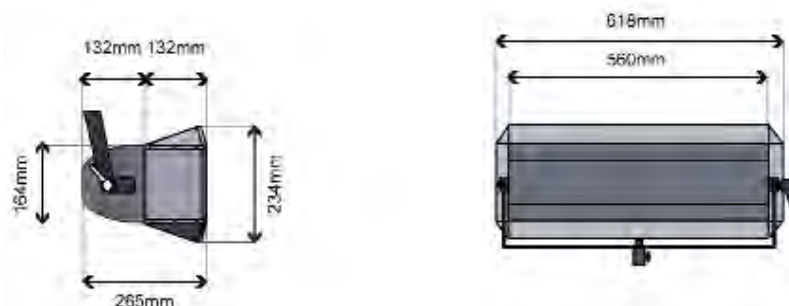
**Code 70460** Filter holder

**Code 70360** Diffuser

### Photometrics

MODEL	POWER	# LAMPS	CANDELAS	ANGLE	WORKING DISTANCE	2m	3m	4m	5m	6m
<b>ICE2</b>	125W	2	3,800	55°	2 to 3 m (6 to 10 ft)	950	425	240	-	-

NOTE: light levels for Philips lamps. Increase specifications by 15% for Osram Studioline ratings. Lower specifications by 25% for Osram Dulux ratings.





# ICE4

## IANIRO COOL EQUIPMENT

**ICE4:** 250W Weight 10 kg  
Candelas 8,300 Lamp 4x PL-L 55 W



### Dimming Options

**Code 70175 Non-Dim** models are "switch-on/switch-off", so cannot be dimmed and must be used on a non-controlled A/C line.

**Code 70176 Basic** models are dimmed by turning a potentiometer at the back of the unit. They must be used on a non-controlled A/C line.

**Code 70177 DMX** models have a built-in DMX receiver which is set at any address between 1 and 512. They are dimmed by the DMX console. They must be used on a non-controlled A/C line.

**Code 70178 Phase** models are connected to a controlled A/C line (triac or thyristor dimmer) and can only be dimmed by such an external dimmer.

### Accessories

**Code 70274** Grid spot 40°

**Code 70276** Grid spot 60°

**Code 70576** Pole operated yoke mount

**Code 70576** UPG pole operated upgrade

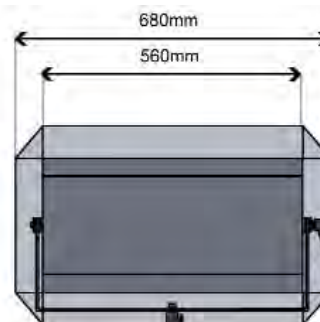
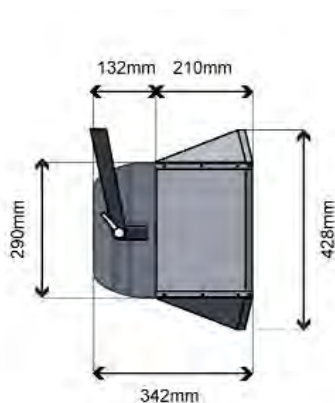
**Code 70470** Filter holder

**Code 70370** Diffuser

### Photometrics

MODEL	POWER	# LAMPS	CANDELAS	ANGLE	WORKING DISTANCE	2m	3m	4m	5m	6m
<b>ICE4</b>	250W	4	8,300	55°	3 to 4 m (10 to 13 ft)	2075	925	520	-	-

NOTE: light levels for Philips lamps. Increase specifications by 15% for Osram Studioline ratings. Lower specifications by 25% for Osram Dulux ratings.





# ICE6

## IANIRO COOL EQUIPMENT

**ICE6** :375W Weight 15 kg  
Candelas 13,500 Lamp 6x PL-L 55 W



### Dimming Options

**Code 70185 Non-Dim** models are "switch-on/switch-off", so cannot be dimmed and must be used on a non-controlled A/C line.

**Code 70186 Basic** models are dimmed by turning a potentiometer at the back of the unit. They must be used on a non-controlled A/C line.

**Code 70187 DMX** models have a built-in DMX receiver which is set at any address between 1 and 512. They are dimmed by the DMX console. They must be used on a non-controlled A/C line.

**Code 70188 Phase** models are connected to a controlled A/C line (triac or thyristor dimmer) and can only be dimmed by such an external dimmer.

### Accessories

- Code 70284** Grid spot 40°
- Code 70286** Grid spot 60°
- Code 70586** Pole operated yoke mount
- Code 70586** UPG pole operated upgrade
- Code 70480** Filter holder
- Code 70380** Diffuser

### Photometrics

MODEL	POWER	# LAMPS	CANDELAS	ANGLE	WORKING DISTANCE	2m	3m	4m	5m	6m
<b>ICE6</b>	375W	6	13,500	55°	4 to 5 m (13 to 16 ft)	3375	1500	845	540	375

NOTE: light levels for Philips lamps. Increase specifications by 15% for Osram Studioline ratings. Lower specifications by 25% for Osram Dulux ratings.

